

PLEASE READ

This manual is provided as a free service by Projector.com.

We are in no way responsible for the contents of the manual. We do not guarantee its accuracy and we do not make any claim of copyright. The copyright remains the property of their respective owners.

ABOUT PROJECTOR.COM

Projector.com (<http://www.projector.com>) is your review and buying guide resource for DLP and LCD video projectors.

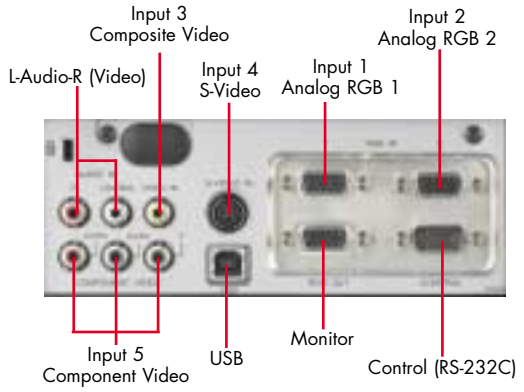
Visit the site to read the latest projector news and reviews, read and comment on projector specifications, download user manuals and much more.



ImagePro 8062 Portable Powerful LCD Projector

- 2000 lumen brightness
- SVGA resolution
- Easy to transport, only 6 lbs.
- Full set of features, 5 inputs
- Monitor loopthrough

Exclusive five year warranty
the best warranty in the industry



8062 DUKANE

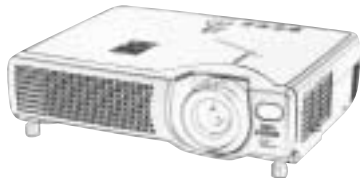
ImagePro 8062

Premium-quality LCD projector

A new way of thinking about projection

The Dukane ImagePro 8062 is a projector that can be easily moved around while still providing higher image brightness and features that make presentations easy. It is simple to use, transport, and can be setup in a minute.

This full-featured LCD projector is ideal for classrooms, conference rooms or other locations where a bright image is required. Use it as a portable or mount it on the ceiling.



Key features:

- SVGA (800 x 600) resolution
- 2000 ANSI Lumens of brightness
- Vibrant rich colored images
- Easy carry 6 lbs.
- Flexibility with 2 computer and 3 video inputs
- Full function remote with mouse/cursor control
- "Custom Image" for your startup and blank screens
- Wide angle zoom lens permits closer placement to the screen
- "Silent Running" so you hear only your message
- Vertical and horizontal keystone correction
- Five Year Warranty and Peace of Mind Service

8062 Projection Table

*Screen Size 4.3		*Throw Distance	
Diagonal	Width	Min	Max
40	32	47	55
60	48	71	87
80	64	95	114
100	80	118	142
120	96	142	173
150	120	181	217
200	160	240	287

Throw ratio 1.47-1.79:1 (distance:width)

*All measurements in inches.

DUKANE

Audiovisual Products
2900 Dukane Drive
St. Charles, Illinois 60174
www.dukcorp.com/av



Toll-free: 800-676-2485
Fax: 630-584-5156
E-mail: avsales@dukcorp.com

Specifications

LCD Type	0.7" polysilicon active-matrix TFT x3
Brightness	2000 ANSI lumens (1600 lumens in Whisper Mode)
Resolution	800 x 600 pixels (H X V)
Contrast	400:1
Scanning Frequency	fh 15-91 kHz, fv 50-120 Hz
Lens	Manual zoom (f1.7 - 1.9), 1.2X
Lens Throw Ratio	1:1.5 - 1.8:1 throw distance to image width
Keystone Correction	Digital, vertical & horizontal
Aspect Ratio	4:3, 16:9, selectable
Computer Compatibility	SVGA, VGA, XGA, SXGA/Compressed PC and Mac 13" and Mac 16"
Video Compatibility	NTSC, NTSC 4.43, PAL, M-PAL, N-PAL, PAL60, SECAM
Image Control	Freeze function, electronic magnification and pan
Mouse Control	Using USB
Projection Modes	Front/rear/ceiling
Color Reproduction	24 bit (16.7 million)
Lamp	150W UHP
Lamp Life	2000 hours (typical) 4000 hours (whisper mode)
Audio	1 speaker 1x 1 watt
Throw Distance	47" to 280"
Screen Size	40" to 200"
Inputs, Video	(1) Min DIN 4-pin, s-video (1) Component, RCA x 3 (1) RCA, composite video (1) Audio, Stereo, RCA x 2
Inputs, Computer	(2) Signal: D-sub, 15 pin
Outputs Monitor	15 pin, D-sub
Outputs, Control	15 pin, D-sub, RS-232, PS/2, ADB, USB Mouse control
Security	Kensington lock slot
Fan Level	38dB, ultra quiet 33dB in Whisper Mode
Power	AC 100-120V, AC220-240V 50/60 Hz, 240 watt
Size (WxHxD)	11.6" x 3" x 9.1"
Weight	6 lbs.
Shipping Weight	15 lbs.
Carton Size	16" x 14" x 12"
Accessories Included	Remote control, batteries, power cord, Video/Audio cable, USB mouse cable, RGB cable, and operator's manual, soft carry case.
Safety	UL/CUL, FCC Class B
Optional Accessories	Lamp 456-233; rolling briefcase; 185-406 Ceiling mount, universal: PJF-UNV-S

Five (5) year limited warranty

on parts and labor in North America, lamp excluded (for other locations, local warranties apply).

Includes Dukane's FREE 24 month

Peace-of-Mind Loaner Program.

5YR

PLEASE READ

This manual is provided as a free service by Projector.com.

We are in no way responsible for the contents of the manual. We do not guarantee its accuracy and we do not make any claim of copyright. The copyright remains the property of their respective owners.

ABOUT PROJECTOR.COM

Projector.com (<http://www.projector.com>) is your review and buying guide resource for DLP and LCD video projectors.

Visit the site to read the latest projector news and reviews, read and comment on projector specifications, download user manuals and much more.